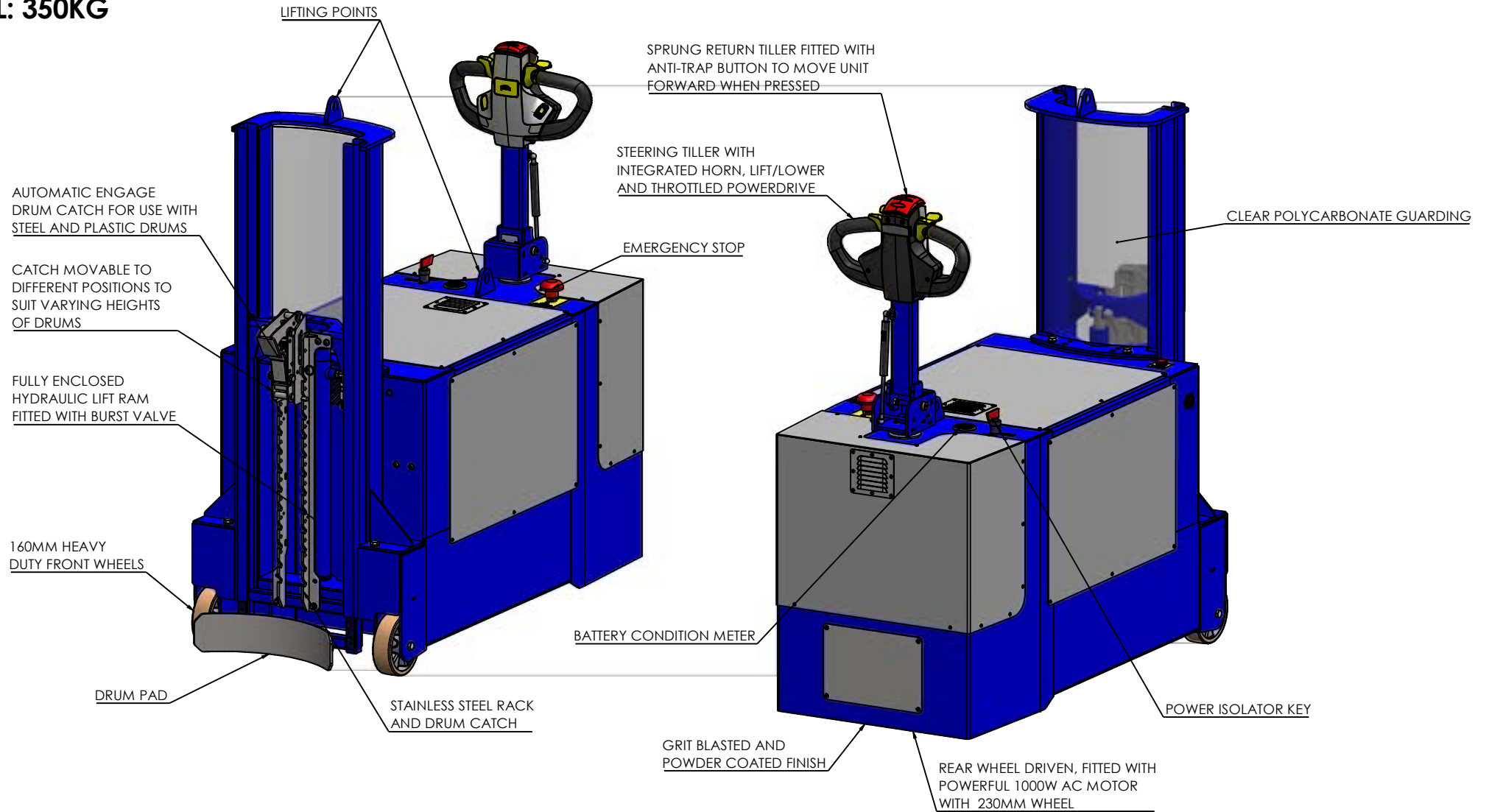
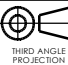



DPC01-R500

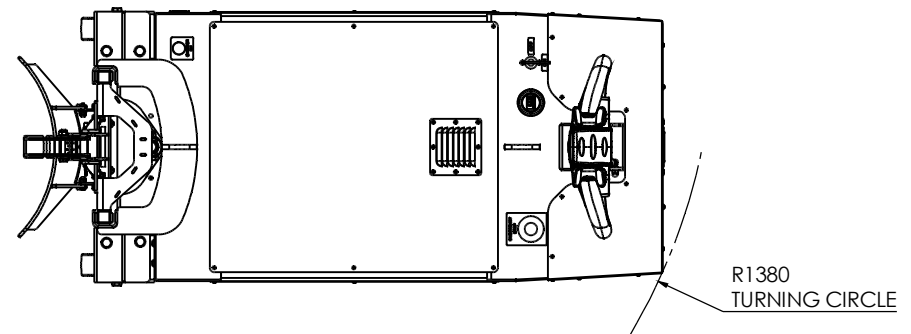
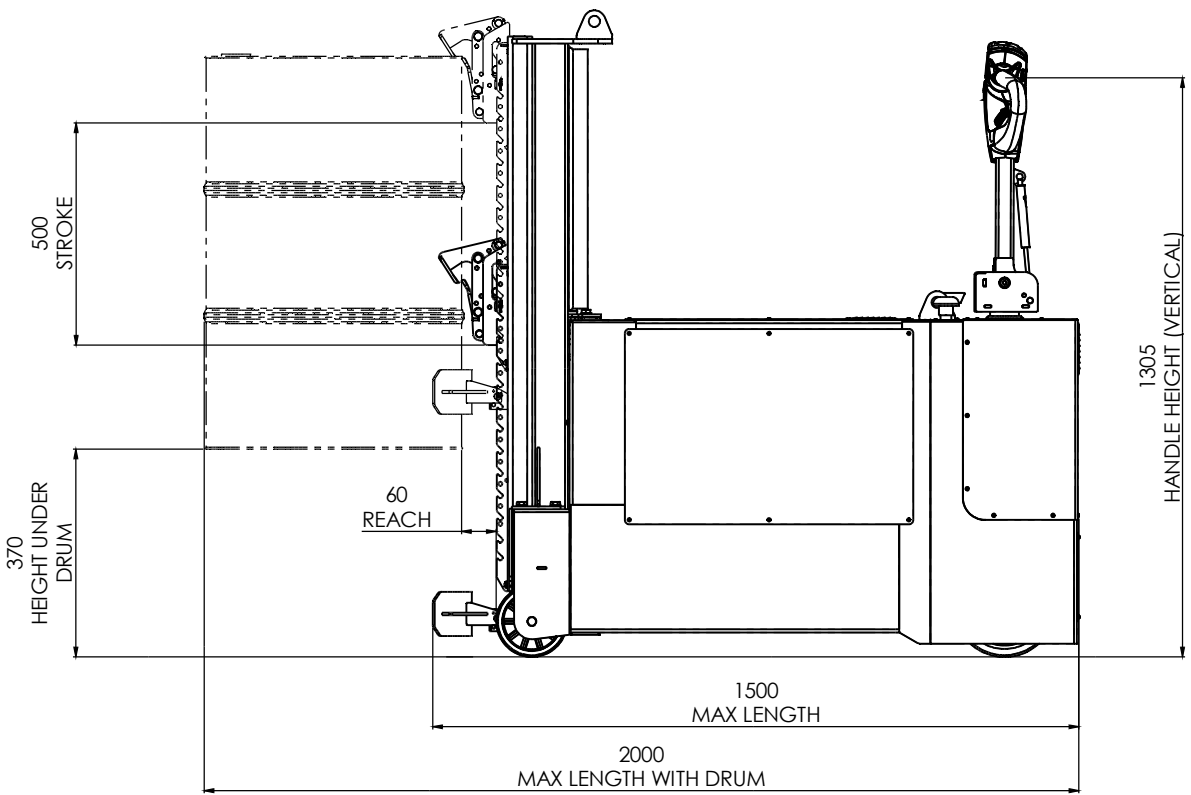
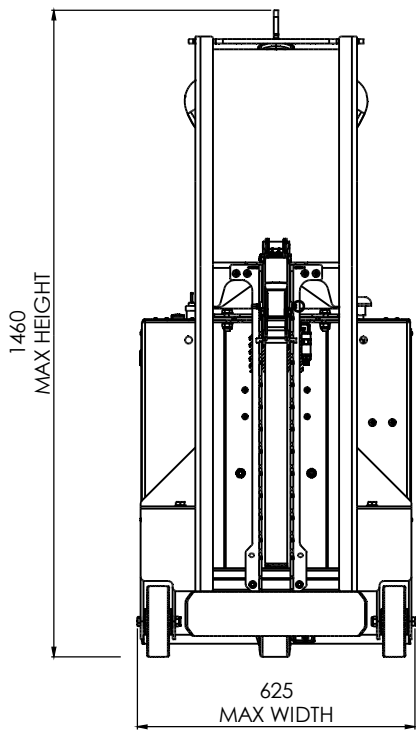
SWL: 350KG





 THIRD ANGLE PROJECTION  BESPOKE HANDLING EQUIPMENT LTD LEEDSTOWN, CORNWALL TR27 6DS TEL: +44 1736 85 10 20 FAX: +44 1736 85 10 23 E-MAIL: SALES@STS-TROLLEYS.CO.UK WWW: HTTP://WWW.STS-TROLLEYS.CO.UK	ALL DIMENSIONS IN mm U.O.S DO NOT SCALE	CUSTOMER APPROVAL: NAME: SIGNATURE: DATE:	CATEGORY: ASSEMBLY MATERIAL SPEC: FINISH: N/A DESCRIPTION: DPC01-R500, COUNTERBALANCED POWERED DRUM DEPALLETISER, 350KG SWL	SHEET NO: 1 OF 4 EST MASS: 442.15kg SHEET SIZE: A3 PART NUMBER: 014964	DRAWN BY: JC CHECKED BY: JS DATE CHK: 18/10/2023 REVISION: F	
	THIS DOCUMENT AND ALL THE INFORMATION CONTAINED HEREIN ARE CONFIDENTIAL AND BELONG TO PROPERTY OF STS-BESPOKE HANDLING EQUIPMENT AND MAY NOT BE REPRODUCED, USED, DISCLOSED OR MADE PUBLIC IN ANY MANNER WITHOUT EXPRESS WRITTEN AUTHORIZATION BY STS-BESPOKE HANDLING EQUIPMENT. THIS DOCUMENT IS ACCEPTED PURSUANT TO AGREEMENT TO THE FOREGOING, AND MUST BE RETURNED OR DESTROYED UPON DEMAND. MANUFACTURER AGREES THAT ARTICLES MADE IN ACCORDANCE WITH THIS DOCUMENT SHALL BE CONSIDERED STS-BESPOKE HANDLING EQUIPMENT DESIGN AND THAT IDENTICAL ARTICLES OR PARTS THEREOF SHALL NOT BE MANUFACTURED FOR THE USE OR SALE BY THE MANUFACTURER OR ANY OTHER PERSON OR ENTITY WITHOUT PRIOR EXPRESS WRITTEN AUTHORIZATION BY STS-BESPOKE HANDLING EQUIPMENT.					

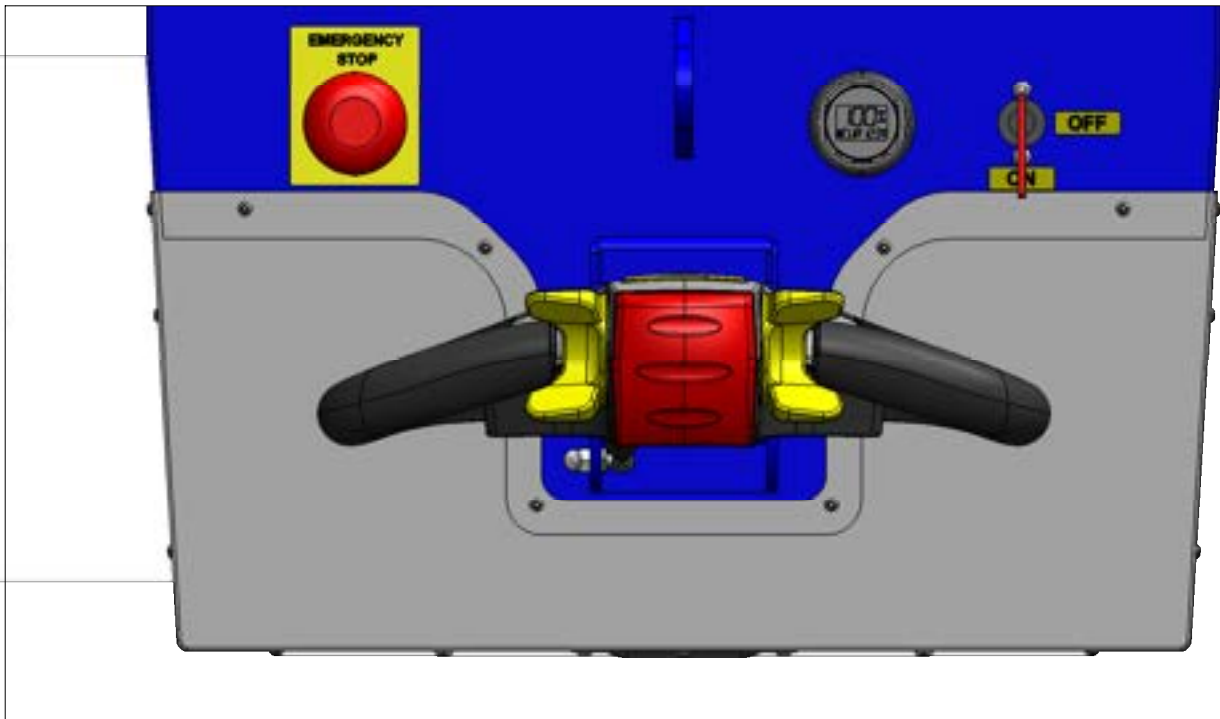
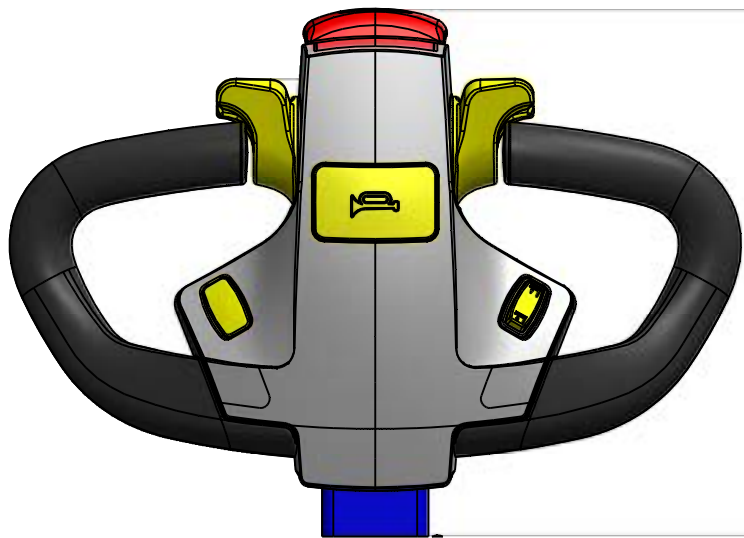
1 2 3 4 5 6 7 8

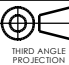

F
E
D
C
B
A



 THIRD ANGLE PROJECTION  STS BESPOKE HANDLING EQUIPMENT LTD LEEDSTOWN, CORNWALL TR27 6DS TEL: +44 1736 85 10 20 FAX: +44 1736 85 10 23 E-MAIL: SALES@STS-TROLLEYS.CO.UK WWW: HTTP://WWW.STS-TROLLEYS.CO.UK	ALL DIMENSIONS IN mm U.O.S DO NOT SCALE	CUSTOMER APPROVAL: NAME: SIGNATURE: DATE:	CATEGORY: ASSEMBLY MATERIAL SPEC: FINISH: N/A DESCRIPTION: DPC01-R500, COUNTERBALANCED POWERED DRUM DEPALLETISER, 350KG SWL	SHEET NO: 2 OF 4 EST MASS: 442.15kg SHEET SIZE: A3 PART NUMBER: 014964	DRAWN BY: JC CHECKED BY: JS DATE CHK: 18/10/2023 REVISION: F	
	THIS DOCUMENT AND ALL THE INFORMATION CONTAINED HEREIN ARE CONFIDENTIAL AND BELONG TO THE PROPERTY OF STS-BESPOKE HANDLING EQUIPMENT AND MAY NOT BE REPRODUCED, USED, DISCLOSED OR MADE PUBLIC IN ANY MANNER WITHOUT EXPRESS WRITTEN AUTHORIZATION BY STS-BESPOKE HANDLING EQUIPMENT. THIS DOCUMENT IS ACCEPTED PURSUANT TO AGREEMENT TO THE FOREGOING, AND MUST BE RETURNED OR DESTROYED UPON DEMAND.		MANUFACTURER AGREES THAT ARTICLES MADE IN ACCORDANCE WITH THIS DOCUMENT SHALL BE CONSIDERED STS-BESPOKE HANDLING EQUIPMENT DESIGN AND THAT IDENTICAL ARTICLES OR PARTS THEREOF SHALL NOT BE MANUFACTURED FOR THE USE OR SALE BY THE MANUFACTURER OR ANY OTHER PERSON OR ENTITY WITHOUT PRIOR EXPRESS WRITTEN AUTHORIZATION BY STS-BESPOKE HANDLING EQUIPMENT.			

1 2 3 4 5 6 7 8



 THIRD ANGLE PROJECTION	ALL DIMENSIONS IN mm U.O.S DO NOT SCALE	CUSTOMER APPROVAL: NAME: SIGNATURE: DATE:	CATEGORY: ASSEMBLY MATERIAL SPEC: FINISH: N/A	SHEET NO: 3 OF 4 EST MASS: 442.15kg SHEET SIZE: A3 PART NUMBER: 014964	DRAWN BY: JC CHECKED BY: JS DATE CHK: 18/10/2023 REVISION: F	
	 STS BESPOKE HANDLING EQUIPMENT LTD TEEDSTOWN, CORNWALL TR27 6DS TEL: +44 1736 85 10 20 FAX: +44 1736 85 10 23 E-MAIL: SALES@STS-TROLLEYS.CO.UK WWW: HTTP://WWW.STS-TROLLEYS.CO.UK		THIS DOCUMENT AND ALL THE INFORMATION CONTAINED HEREIN ARE CONFIDENTIAL AND BELONG TO THE PROPERTY OF STS BESPOKE HANDLING EQUIPMENT AND MAY NOT BE REPRODUCED, USED, DISCLOSED OR MADE PUBLIC IN ANY MANNER WITHOUT THE WRITTEN AUTHORIZATION BY STS BESPOKE HANDLING EQUIPMENT. THIS DOCUMENT IS ACCEPTED PURSUANT TO AGREEMENT TO THE FOREGOING AND MUST BE RETURNED OR DESTROYED UPON DEMAND. MANUFACTURER AGREES THAT ARTICLES MADE IN ACCORDANCE WITH THIS DOCUMENT SHALL BE CONSIDERED AS BESPOKE HANDLING EQUIPMENT DESIGN AND THAT IDENTICAL ARTICLES OR PARTS THEREOF SHALL NOT BE MANUFACTURED FOR THE USE OR SALE BY THE MANUFACTURER OR ANY OTHER PERSON OR ENTITY WITHOUT PRIOR WRITTEN AUTHORIZATION BY STS BESPOKE HANDLING EQUIPMENT.		DESCRIPTION: DPC01-R500, COUNTERBALANCED POWERED DRUM DEPALLETISER, 350KG SWL	