

# DME01-230V-10RPM-Ex

**SWL - 300kg**

SHOT BLASTED,  
ZINC PRIMER &  
POWDERCOATED FINISH

STEEL MESH GUARDING  
(NOT SHOWN FOR CLARITY)

CLEAN, MILD STEEL  
CONSTRUCTION

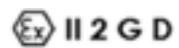
BRAKED CASTORS WITH  
160mm ANTI-STATIC WHEELS

ATEX RATED  
Ex d MOTOR

ATEX RATED CONTROL  
BOX WITH Ex d ENCLOSURE

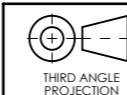
160mm ANTI-STATIC WHEELS

REAR JACKING FEET



Ex cb IIB T4 Gb

Ex cb IIIB T135°C Db



ALL DIMENSIONS  
IN mm U.O.S  
DO NOT SCALE



BESPOKE HANDLING EQUIPMENT LTD  
LEEDSTOWN, CORNWALL, TR27 6DS  
TEL: +44 1736 85 10 50 FAX: +44 1736 85 10 23  
E-MAIL: SALES@STIS-TROLLEYS.CO.UK  
WWW: HTTPS://WWW.STIS-TROLLEYS.CO.UK

DESCRIPTION:

ATEX RATED ELECTRIC DRUM MIXER, 300KG SWL, MAX SPEED - 10RPM,  
DME01-EX

CUSTOMER APPROVAL:

NAME: .....  
SIGNATURE: .....  
DATE: .....

THIS DOCUMENT AND ALL THE INFORMATION CONTAINED HEREIN ARE CONFIDENTIAL AND EXCLUSIVE PROPERTY OF STS BESPOKE HANDLING EQUIPMENT AND MAY NOT BE REPRODUCED, USED, DISCLOSED OR MADE PUBLIC IN ANY MANNER PRIOR TO EXPRESS WRITTEN AUTHORIZATION BY STS BESPOKE HANDLING EQUIPMENT.  
THIS DOCUMENT IS ACCEPTED PURSUANT TO AGREEMENT TO THE FOREGOING, AND MUST BE RETURNED OR DESTROYED UPON DEMAND.  
MANUFACTURER AGREES THAT ARTICLES MADE IN ACCORDANCE WITH THIS DOCUMENT SHALL BE CONSIDERED STS BESPOKE HANDLING EQUIPMENT'S DESIGN AND THAT IDENTICAL ARTICLES OR PARTS THEREOF SHALL NOT BE MANUFACTURED FOR THE USE OR SALE BY THE MANUFACTURER OR ANY OTHER PERSON OR ENTITY WITHOUT PRIOR EXPRESS WRITTEN AUTHORIZATION BY STS BESPOKE HANDLING EQUIPMENT.

SHEET NO: 1 OF 4

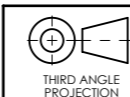
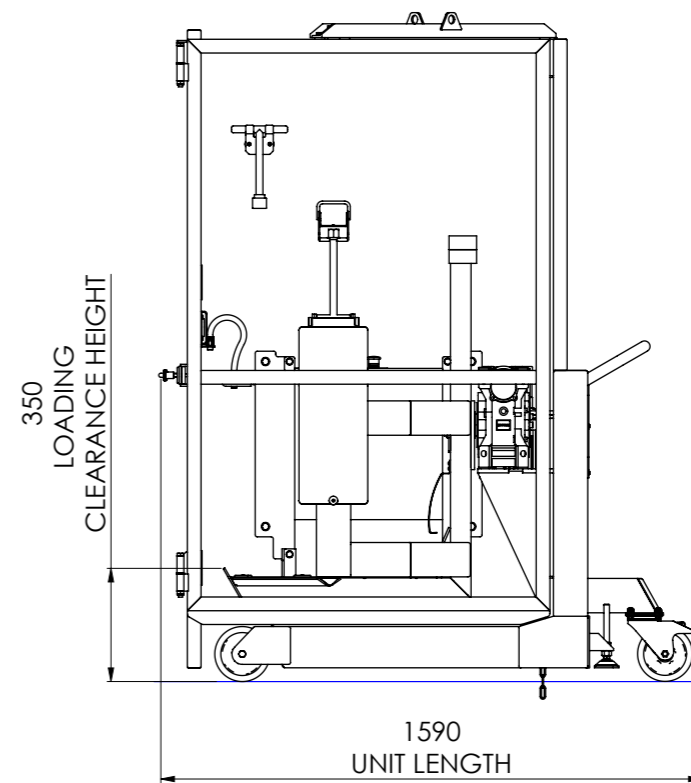
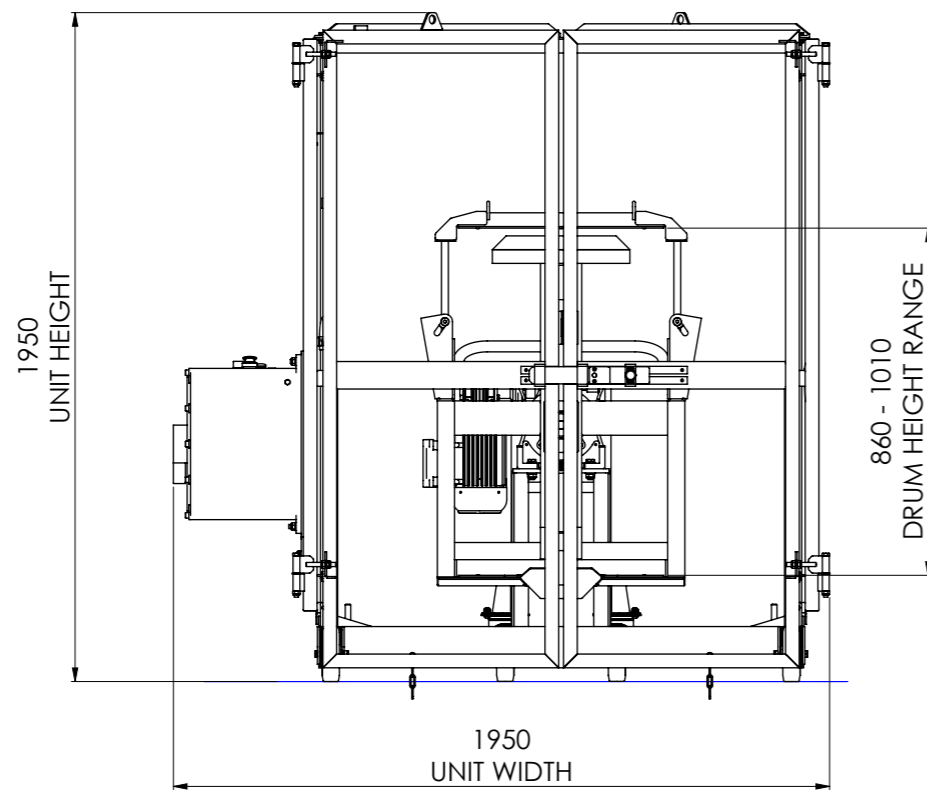
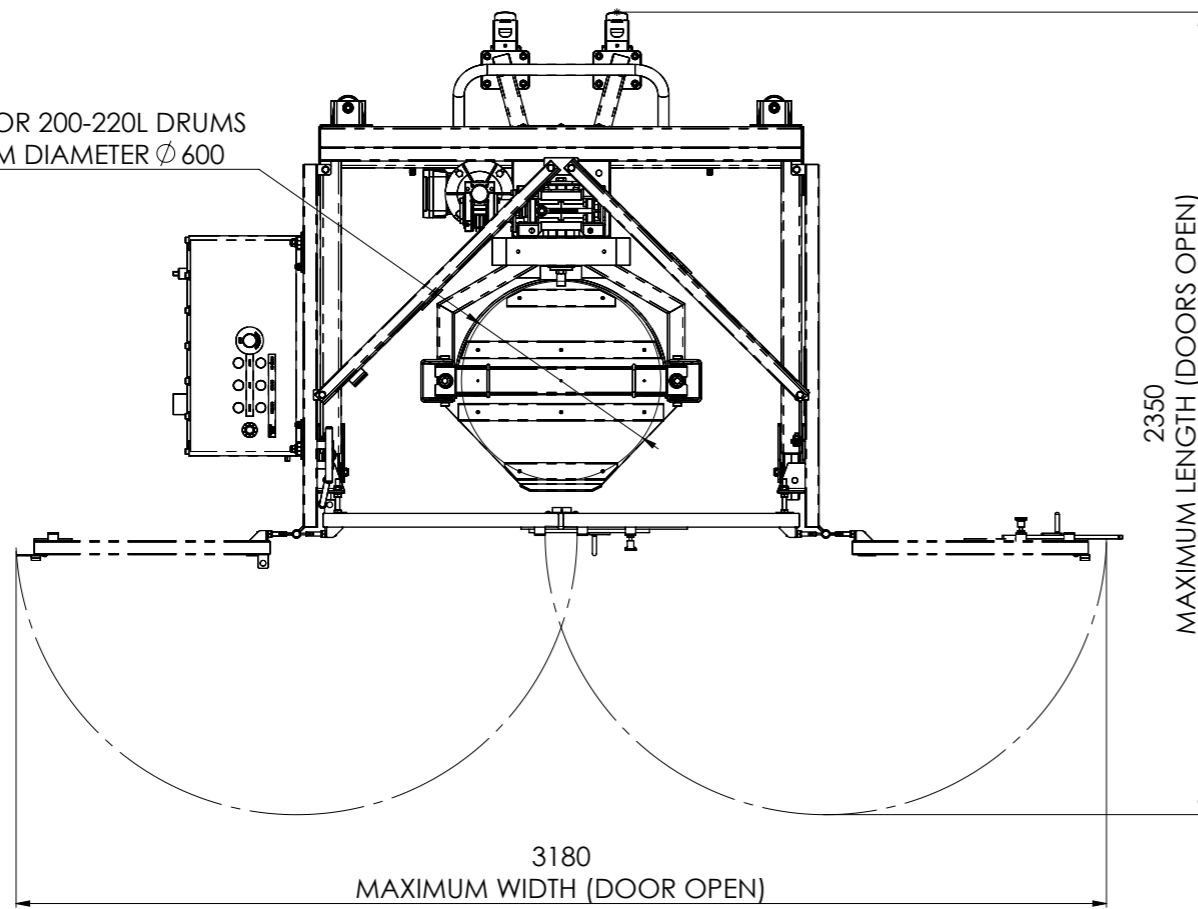
DRAWN BY: -

SHEET SIZE: A3

PART NUMBER:

018872

SUITABLE FOR 200-220L DRUMS  
 MAXIMUM DIAMETER  $\phi$  600



ALL DIMENSIONS  
 IN mm U.O.S  
 DO NOT SCALE

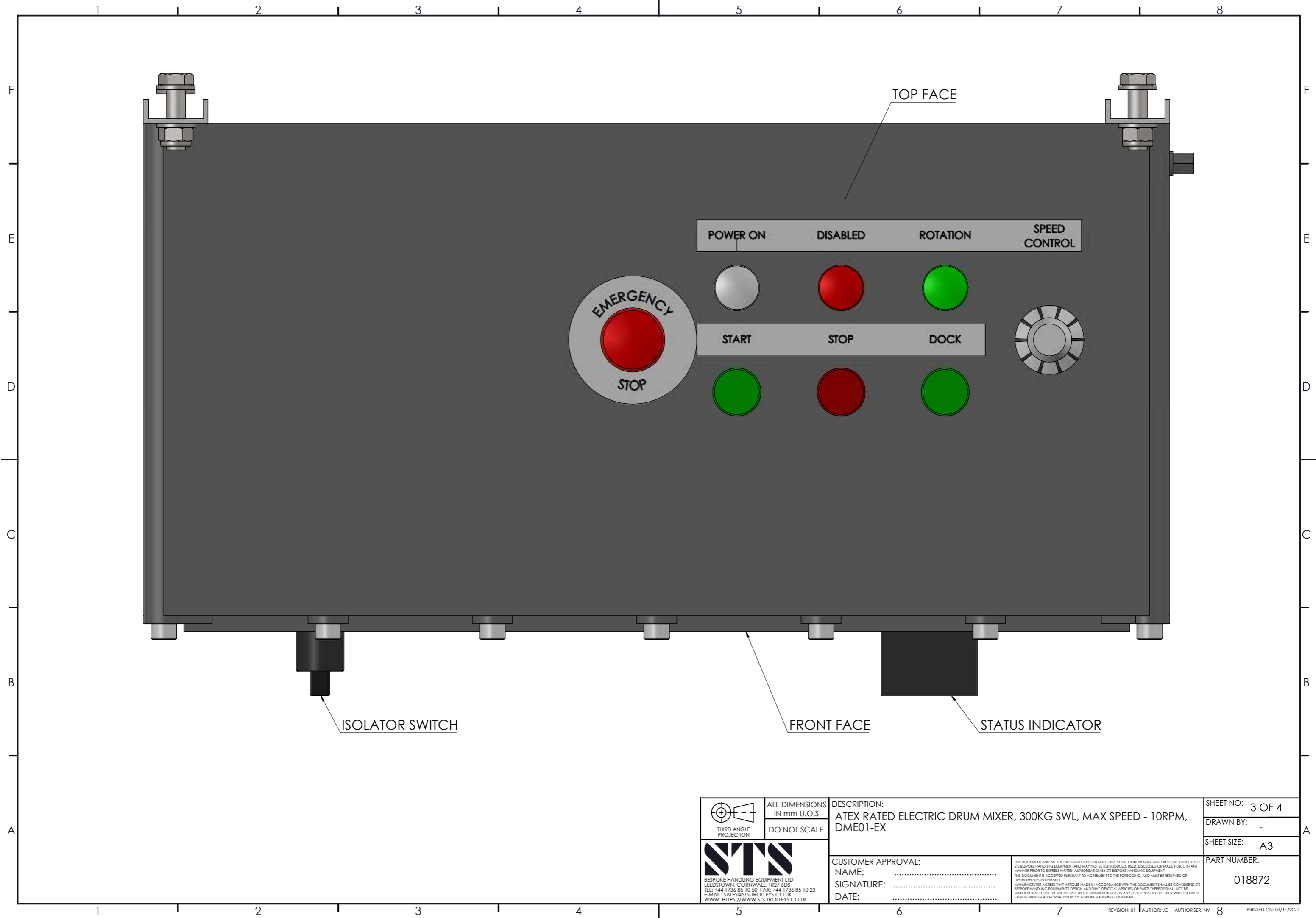


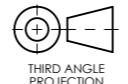

DESCRIPTION:  
 ATEX RATED ELECTRIC DRUM MIXER, 300KG SWL, MAX SPEED - 10RPM,  
 DME01-EX

CUSTOMER APPROVAL:  
 NAME: .....  
 SIGNATURE: .....  
 DATE: .....

THIS DOCUMENT AND ALL THE INFORMATION CONTAINED HEREIN ARE CONFIDENTIAL AND EXCLUSIVE PROPERTY OF STS BESPOKE HANDLING EQUIPMENT AND MAY NOT BE REPRODUCED, USED, DISCLOSED OR MADE PUBLIC IN ANY MANNER PRIOR TO EXPRESS WRITTEN AUTHORIZATION BY STS BESPOKE HANDLING EQUIPMENT.  
 THIS DOCUMENT IS ACCEPTED PURSUANT TO AGREEMENT TO THE FOREGOING, AND MUST BE RETURNED OR DESTROYED UPON DEMAND.  
 MANUFACTURER AGREES THAT ARTICLES MADE IN ACCORDANCE WITH THIS DOCUMENT SHALL BE CONSIDERED STS BESPOKE HANDLING EQUIPMENT'S DESIGN AND THAT IDENTICAL ARTICLES OR PARTS THEREOF SHALL NOT BE MANUFACTURED FOR THE USE OR SALE BY THE MANUFACTURER OR ANY OTHER PERSON OR ENTITY WITHOUT PRIOR EXPRESS WRITTEN AUTHORIZATION BY STS BESPOKE HANDLING EQUIPMENT.

SHEET NO: 2 OF 4  
 DRAWN BY: -  
 SHEET SIZE: A3  
 PART NUMBER:  
 018872



 THIRD ANGLE PROJECTION	ALL DIMENSIONS IN mm U.O.S DO NOT SCALE	DESCRIPTION: ATEX RATED ELECTRIC DRUM MIXER, 300KG SWL, MAX SPEED - 10RPM, DME01-EX	SHEET NO: 3 OF 4 DRAWN BY: - SHEET SIZE: A3
	 BESPOKE HANDLING EQUIPMENT LTD LEEDSTOWN, CORNWALL, TR27 6DS TEL: +44 1736 85 10 50 FAX: +44 1736 85 10 23 E-MAIL: SALES@STIS-TROLLEYS.CO.UK WWW: HTTPS://WWW.STIS-TROLLEYS.CO.UK	CUSTOMER APPROVAL: NAME: ..... SIGNATURE: ..... DATE: .....	<small>THIS DOCUMENT AND ALL THE INFORMATION CONTAINED HEREIN ARE CONFIDENTIAL AND EXCLUSIVE PROPERTY OF STS BESPOKE HANDLING EQUIPMENT AND MAY NOT BE REPRODUCED, USED, DISCLOSED OR MADE PUBLIC IN ANY MANNER PRIOR TO EXPRESS WRITTEN AUTHORIZATION BY STS BESPOKE HANDLING EQUIPMENT.          THIS DOCUMENT IS ACCEPTED PURSUANT TO AGREEMENT TO THE FOREGOING, AND MUST BE RETURNED OR DESTROYED UPON DEMAND.          MANUFACTURER AGREES THAT ARTICLES MADE IN ACCORDANCE WITH THIS DOCUMENT SHALL BE CONSIDERED STS BESPOKE HANDLING EQUIPMENT'S DESIGN AND THAT IDENTICAL ARTICLES OR PARTS THEREOF SHALL NOT BE MANUFACTURED FOR THE USE OR SALE BY THE MANUFACTURER OR ANY OTHER PERSON OR ENTITY WITHOUT PRIOR EXPRESS WRITTEN AUTHORIZATION BY STS BESPOKE HANDLING EQUIPMENT.</small>