

STP01-RRH01-Ex

SWL - 300KG

CLEAN MILD STEEL CONSTRUCTION,  
SHOT BLASTED, ZINC PRIMER  
AND POWDERCOATED FINISH

PNEUMATIC POWERED  
HYDRAULIC LIFT  
AND LOWER

CLEAR ANTI-STATIC  
POLYCARBONATE  
GUARDING

HYDRAULIC POWERED  
CLAMP AND 360  
DEGREE ROTATION

3 FUNCTION  
CONTROL BOX

FEMALE 3/8" BSP INPUT  
(ONE ON EACH SIDE)

850mm STRADDLE LEGS

160mm ANTI-STATIC CASTORS  
WITH PARKING BRAKES

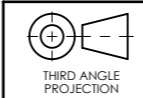
160mm ANTI-STATIC  
FRONT WHEELS

EARTHING CHAINS

II 2 G D

Ex h IIB T4 Gb

Ex h IIIB T135°C Db



ALL DIMENSIONS  
IN mm U.O.S  
DO NOT SCALE



BESPOKE HANDLING EQUIPMENT LTD  
LEEDSTOWN, CORNWALL, TR27 6DS  
TEL: +44 1736 85 10 50 FAX: +44 1736 85 10 23  
E-MAIL: SALES@STIS-TROLLEYS.CO.UK  
WWW: HTTPS://WWW.STIS-TROLLEYS.CO.UK

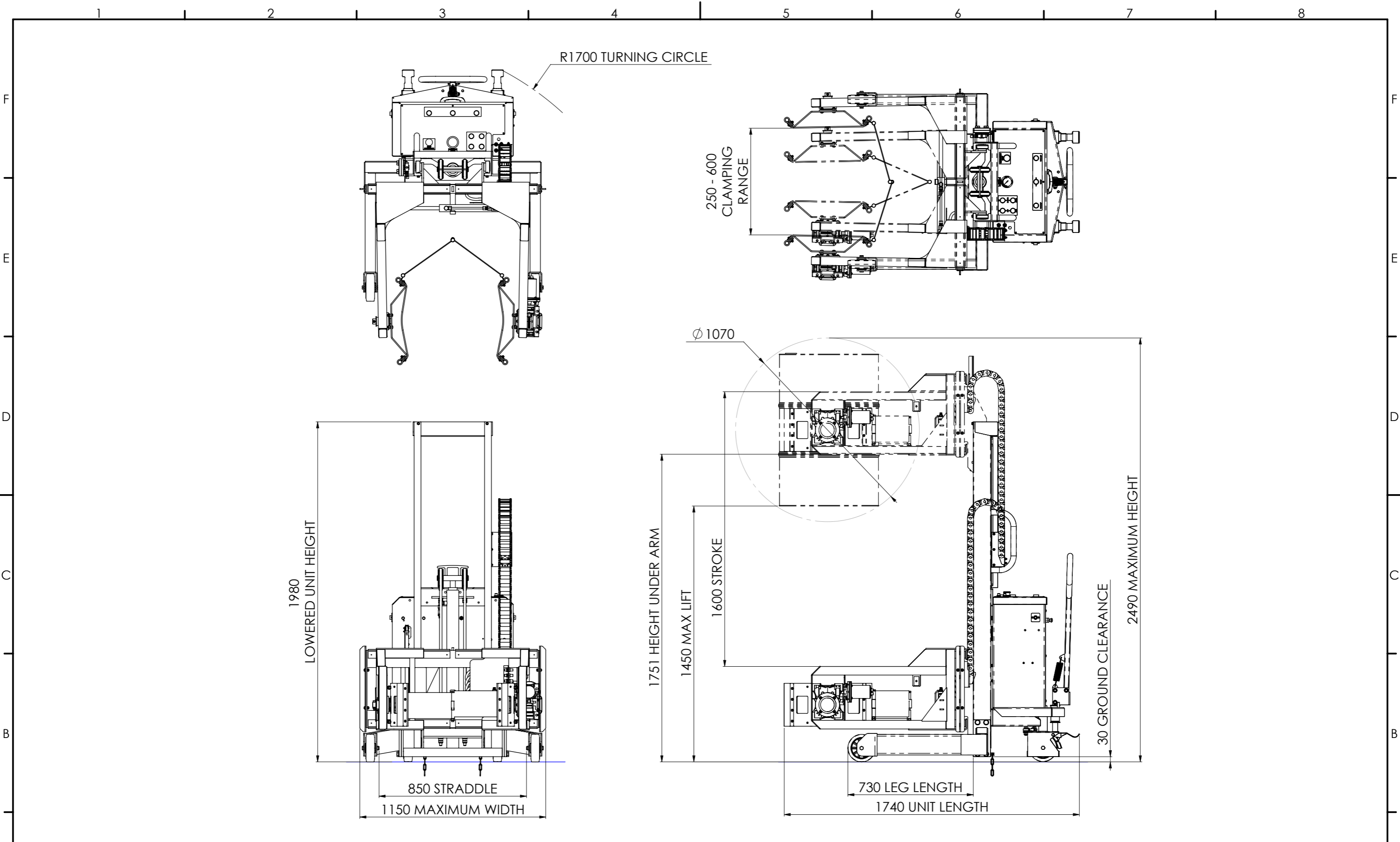
DESCRIPTION:  
STP01-RRH01-EX, PNEUMATIC STACKER WITH POWERED CLAMP AND  
ROTATE HEAD

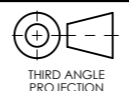

CUSTOMER APPROVAL:  
NAME: .....  
SIGNATURE: .....  
DATE: .....

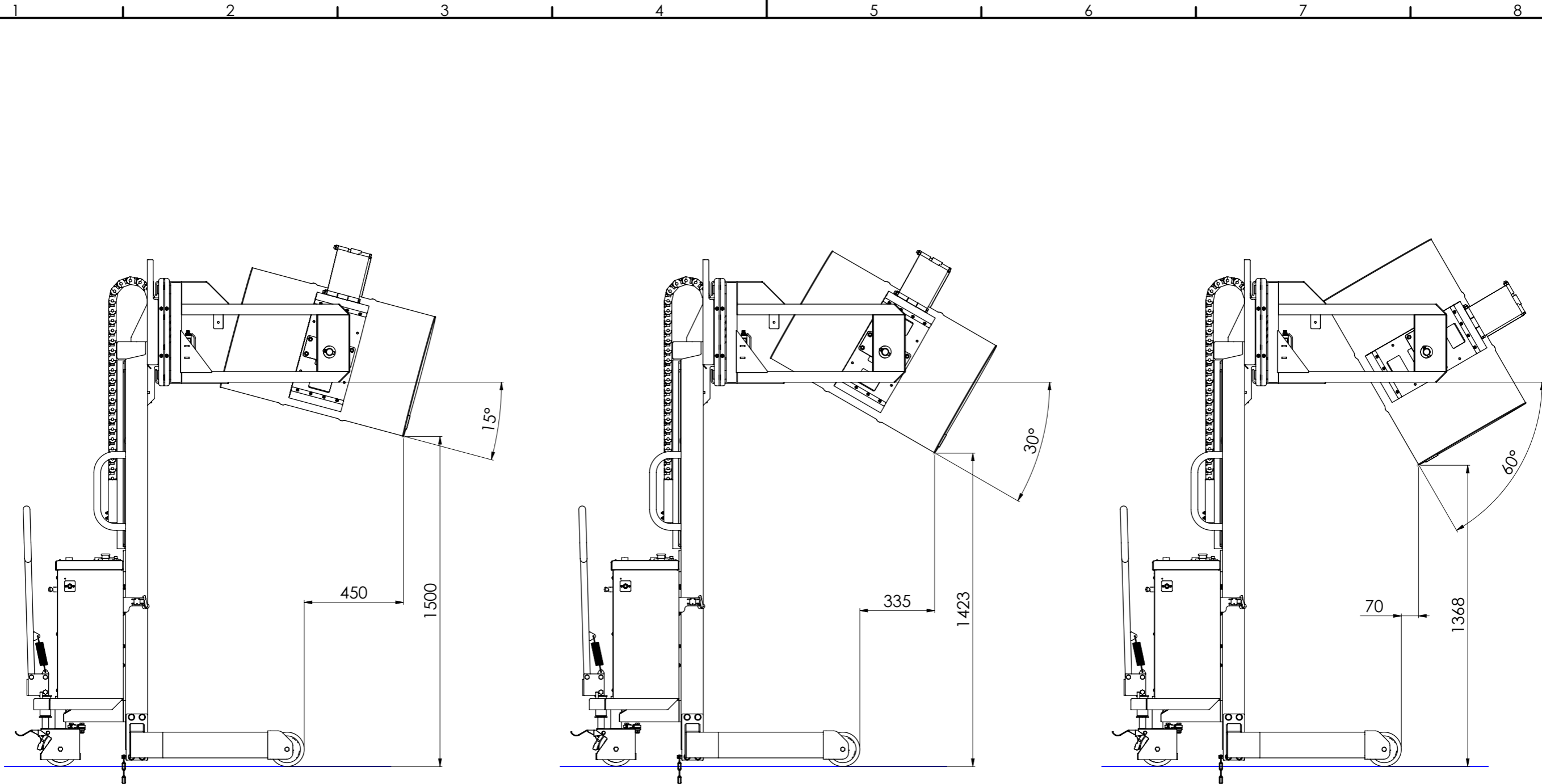
THIS DOCUMENT AND ALL THE INFORMATION CONTAINED HEREIN ARE CONFIDENTIAL AND EXCLUSIVE PROPERTY OF STS BESPOKE HANDLING EQUIPMENT AND MAY NOT BE REPRODUCED, USED, DISCLOSED OR MADE PUBLIC IN ANY MANNER PRIOR TO EXPRESS WRITTEN AUTHORIZATION BY STS BESPOKE HANDLING EQUIPMENT.  
THIS DOCUMENT IS ACCEPTED PURSUANT TO AGREEMENT TO THE FOREGOING, AND MUST BE RETURNED OR DESTROYED UPON DEMAND.  
MANUFACTURER AGREES THAT ARTICLES MADE IN ACCORDANCE WITH THIS DOCUMENT SHALL BE CONSIDERED STS BESPOKE HANDLING EQUIPMENT'S DESIGN AND THAT IDENTICAL ARTICLES OR PARTS THEREOF SHALL NOT BE MANUFACTURED FOR THE USE OR SALE BY THE MANUFACTURER OR ANY OTHER PERSON OR ENTITY WITHOUT PRIOR EXPRESS WRITTEN AUTHORIZATION BY STS BESPOKE HANDLING EQUIPMENT.

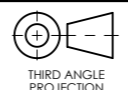

SHEET NO: 1 OF 4  
DRAWN BY: JC  
SHEET SIZE: A3

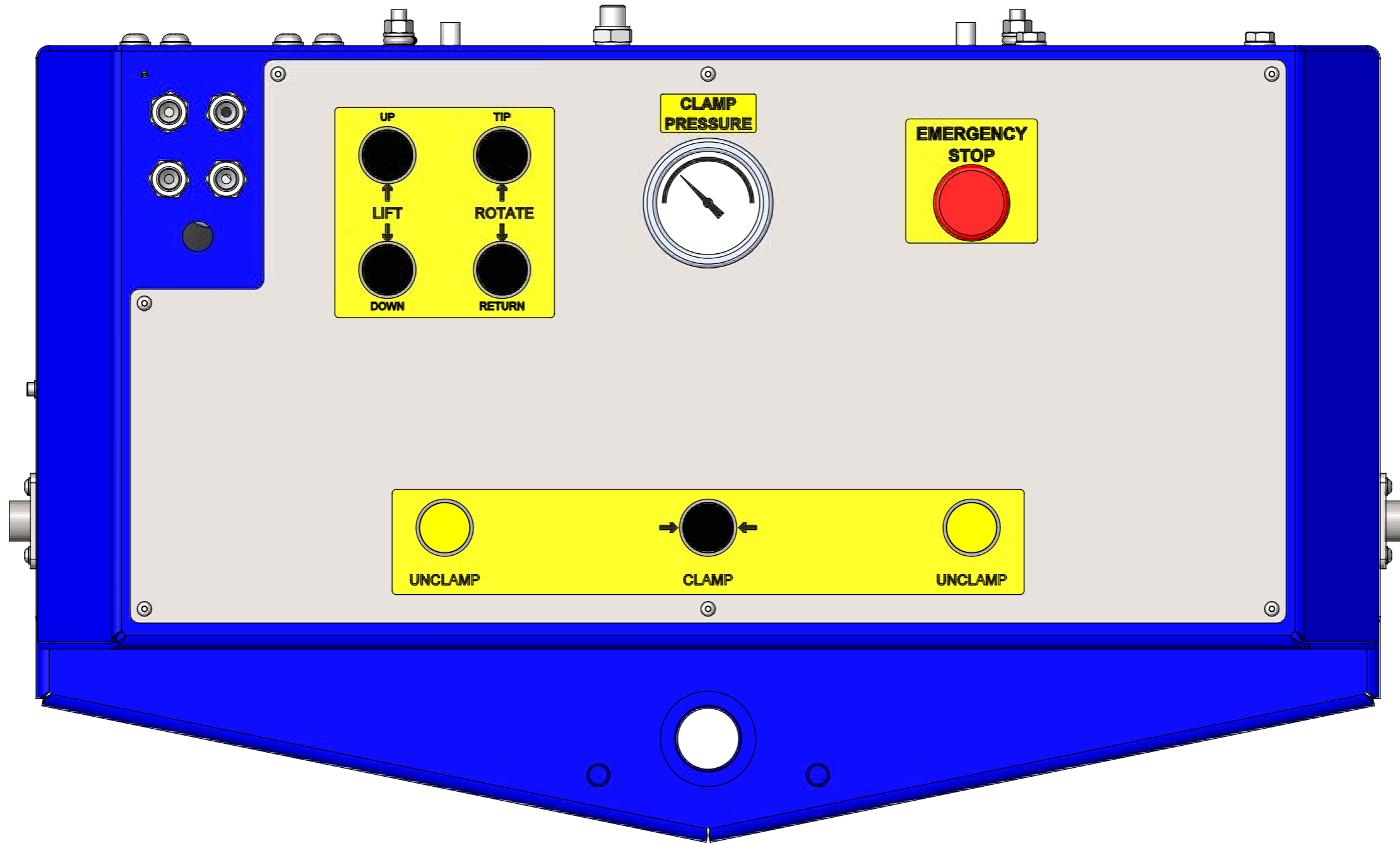
PART NUMBER:  
012484

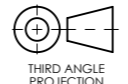



 THIRD ANGLE PROJECTION	ALL DIMENSIONS IN mm U.O.S DO NOT SCALE	DESCRIPTION: STP01-RRH01-EX, PNEUMATIC STACKER WITH POWERED CLAMP AND ROTATE HEAD	SHEET NO: 2 OF 4
	 BESPOKE HANDLING EQUIPMENT LTD LEEDSTOWN, CORNWALL, TR27 6DS TEL: +44 1736 85 10 50 FAX: +44 1736 85 10 23 E-MAIL: SALES@STN-TROLLEYS.CO.UK WWW: HTTPS://WWW.STN-TROLLEYS.CO.UK		CUSTOMER APPROVAL: NAME: ..... SIGNATURE: ..... DATE: .....
		<small>THIS DOCUMENT AND ALL THE INFORMATION CONTAINED HEREIN ARE CONFIDENTIAL AND EXCLUSIVE PROPERTY OF STS BESPOKE HANDLING EQUIPMENT AND MAY NOT BE REPRODUCED, USED, DISCLOSED OR MADE PUBLIC IN ANY MANNER PRIOR TO EXPRESS WRITTEN AUTHORIZATION BY STS BESPOKE HANDLING EQUIPMENT. THIS DOCUMENT IS ACCEPTED PURSUANT TO AGREEMENT TO THE FOREGOING, AND MUST BE RETURNED OR DESTROYED UPON DEMAND. MANUFACTURER AGREES THAT ARTICLES MADE IN ACCORDANCE WITH THIS DOCUMENT SHALL BE CONSIDERED STS BESPOKE HANDLING EQUIPMENT'S DESIGN AND THAT IDENTICAL ARTICLES OR PARTS THEREOF SHALL NOT BE MANUFACTURED FOR THE USE OR SALE BY THE MANUFACTURER OR ANY OTHER PERSON OR ENTITY WITHOUT PRIOR EXPRESS WRITTEN AUTHORIZATION BY STS BESPOKE HANDLING EQUIPMENT.</small>	PART NUMBER: 012484



 THIRD ANGLE PROJECTION	ALL DIMENSIONS IN mm U.O.S. DO NOT SCALE	DESCRIPTION: STP01-RRH01-EX, PNEUMATIC STACKER WITH POWERED CLAMP AND ROTATE HEAD	SHEET NO: 3 OF 4
	 BESPOKE HANDLING EQUIPMENT LTD LEEDSTOWN, CORNWALL, TR27 6DS TEL: +44 1736 85 10 50 FAX: +44 1736 85 10 23 E-MAIL: SALES@STS-TROLLEYS.CO.UK WWW: HTTPS://WWW.STS-TROLLEYS.CO.UK		CUSTOMER APPROVAL: NAME: ..... SIGNATURE: ..... DATE: .....
<small>THIS DOCUMENT AND ALL THE INFORMATION CONTAINED HEREIN ARE CONFIDENTIAL AND EXCLUSIVE PROPERTY OF STS BESPOKE HANDLING EQUIPMENT AND MAY NOT BE REPRODUCED, USED, DISCLOSED OR MADE PUBLIC IN ANY MANNER PRIOR TO EXPRESS WRITTEN AUTHORIZATION BY STS BESPOKE HANDLING EQUIPMENT.          THIS DOCUMENT IS ACCEPTED PURSUANT TO AGREEMENT TO THE FOREGOING, AND MUST BE RETURNED OR DESTROYED UPON DEMAND.          MANUFACTURER AGREES THAT ARTICLES MADE IN ACCORDANCE WITH THIS DOCUMENT SHALL BE CONSIDERED STS BESPOKE HANDLING EQUIPMENT'S DESIGN AND THAT IDENTICAL ARTICLES OR PARTS THEREOF SHALL NOT BE MANUFACTURED FOR THE USE OR SALE BY THE MANUFACTURER OR ANY OTHER PERSON OR ENTITY WITHOUT PRIOR EXPRESS WRITTEN AUTHORIZATION BY STS BESPOKE HANDLING EQUIPMENT.</small>		PART NUMBER: 012484	



 THIRD ANGLE PROJECTION	ALL DIMENSIONS IN mm U.O.S. DO NOT SCALE	DESCRIPTION: STP01-RRH01-EX, PNEUMATIC STACKER WITH POWERED CLAMP AND ROTATE HEAD	SHEET NO: 4 OF 4	
	 BESPOKE HANDLING EQUIPMENT LTD LEEDSTOWN, CORNWALL, TR27 6DS TEL: +44 1736 85 10 50 FAX: +44 1736 85 10 23 E-MAIL: SALES@STN-TROLLEYS.CO.UK WWW: HTTPS://WWW.STN-TROLLEYS.CO.UK		CUSTOMER APPROVAL: NAME: ..... SIGNATURE: ..... DATE: .....	DRAWN BY: JC SHEET SIZE: A3
			<small>THIS DOCUMENT AND ALL THE INFORMATION CONTAINED HEREIN ARE CONFIDENTIAL AND EXCLUSIVE PROPERTY OF STS BESPOKE HANDLING EQUIPMENT AND MAY NOT BE REPRODUCED, USED, DISCLOSED OR MADE PUBLIC IN ANY MANNER PRIOR TO EXPRESS WRITTEN AUTHORIZATION BY STS BESPOKE HANDLING EQUIPMENT.          THIS DOCUMENT IS ACCEPTED PURSUANT TO AGREEMENT TO THE FOREGOING, AND MUST BE RETURNED OR DESTROYED UPON DEMAND.          MANUFACTURER AGREES THAT ARTICLES MADE IN ACCORDANCE WITH THIS DOCUMENT SHALL BE CONSIDERED STS BESPOKE HANDLING EQUIPMENT'S DESIGN AND THAT IDENTICAL ARTICLES OR PARTS THEREOF SHALL NOT BE MANUFACTURED FOR THE USE OR SALE BY THE MANUFACTURER OR ANY OTHER PERSON OR ENTITY WITHOUT PRIOR EXPRESS WRITTEN AUTHORIZATION BY STS BESPOKE HANDLING EQUIPMENT.</small>	PART NUMBER: 012484